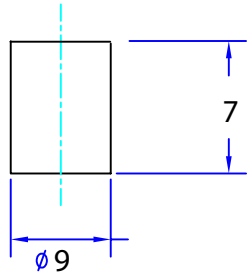
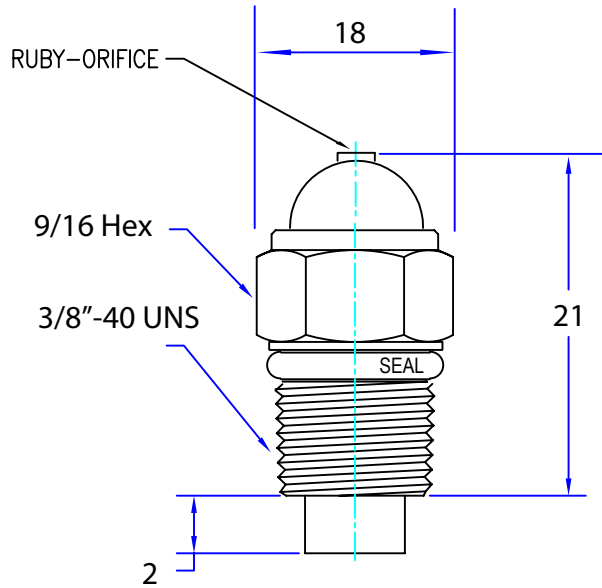


All Dimensions in mm.



Filter - White colour

FILTER, 5-micron  
Polypropylene  
Designed for finger-tip removal.



NOZZLE W/FILTER

### Nozzle Capacity Chart based on Water

Nozzle Number	Orifice (mm)	FLOW RATE (Liter/min) at BAR									
		5	7	10	20	30	40	60	70	80	100
R11-15	0.15	0.03	0.043	0.059	0.067	0.072	0.089	0.097	0.106	0.119	0.140

Mass mean droplet size: 15 microns at 1000psi.

<small>UNLESS OTHERWISE SPECIFIED: DIMENSIONS ARE IN INCHES TOLERANCES FRACTIONS DECIMALS ANGULAR ± 1/16 ± .01 ± .01 XX ± .010 INTERPRET PER ASME Y14.5M DO NOT SCALE DRAWING IF NOT SPECIFIED</small>		<b>WILSON SPRAY NOZZLE PTE LTD</b> Blk 71 #04-23/24 Ayer Rajah Crescent, Ayer Rajah Industrial Estate, Singapore 139951.				
MATERIAL	FINISH	TITLE				
ASSY	125 ✓	RUBY INSERT RII-15 ATOMISING NOZZLE				
www.wilsonspraynozzle.sg E-mail : sales@wilsonspraynozzle.sg Tel : 67741828 Fax : 67779813		SIZE B	DRAWN VN CHECKED GT	DATE 10-05-2000 DATE 05-17-2004	DWG NO. RII15239	REV. 0
SCALE		FILE NAME:	JOB NO.	SHEET	OF	
1:2				1	1	