

# Shower high pressure needle nozzle

## CY 27149 Type



nozzle without gasket type

## CY64160Type



nozzle with gasket type

## CY50709 Type



Nozzle without gasket type

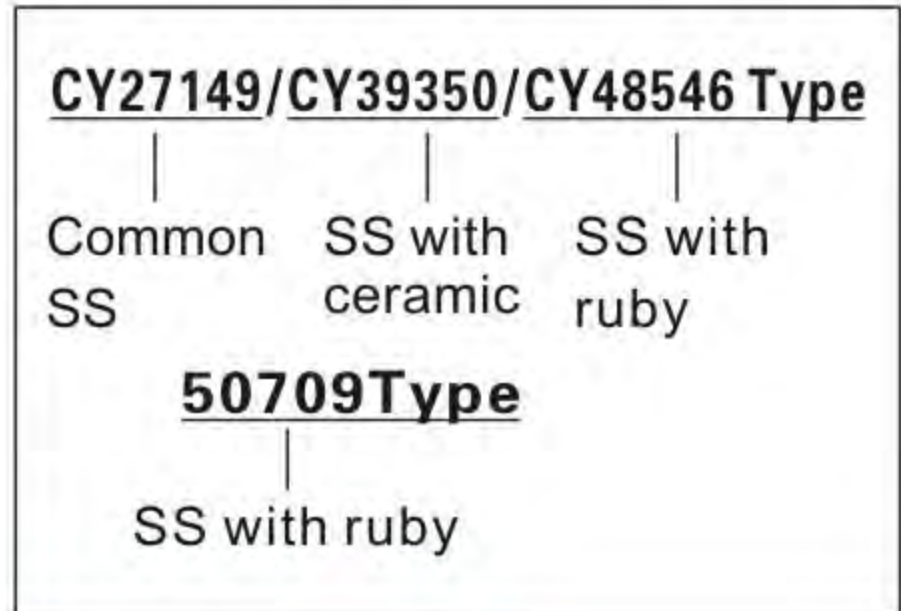
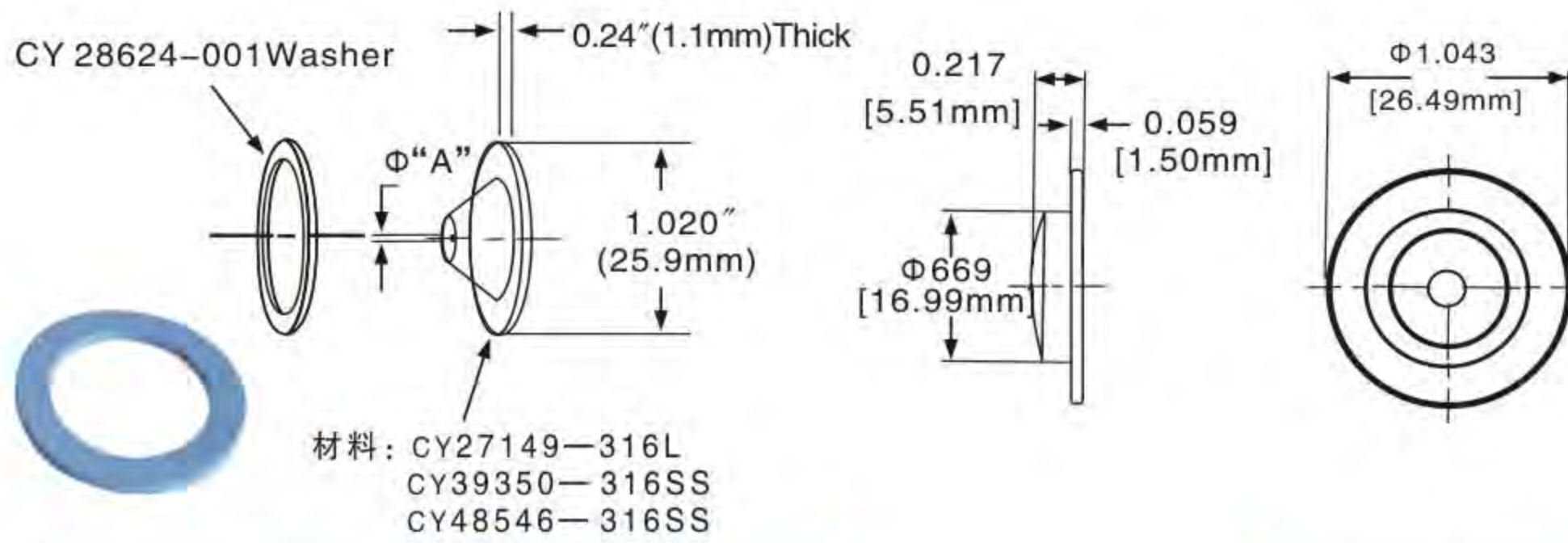
## CY48546/CY39350 Type



nozzle with gasket type

## Application

- High pressure cleaning of long net part
- High pressure cleaning of squeezing part
- Cleaning of blind hole roller
- Cleaning of groove roller



## CY27149 Performace Data

Nozzle size	Orifice diameter (mm)	Capacity(L/min)					Spray angle 4bar
		1.5Bar	3Bar	7Bar	20Bar	55Bar	
CY27149-00004	0.3	0.11	0.16	0.24	0.41	0.68	0°
CY27149-00007	0.4	0.20	0.28	0.42	0.71	1.2	
CY27149-00009	0.5	0.25	0.36	0.54	0.92	1.5	
CY27149-0001	0.6	0.36	0.51	0.78	1.3	2.2	
CY27149-0002	1.0	0.64	0.91	1.4	2.3	3.9	
CY27149-0003	1.2	0.92	1.3	2.0	3.4	5.6	
CY27149-0004	1.5	1.2	1.7	2.6	4.4	7.3	
CY27149-0008	1.9	2.2	3.1	4.8	8.1	13.4	
CY27149-0012	2.4	3.5	4.9	7.5	12.6	21	
CY27149-0020	3.2	5.5	7.8	11.9	20	33	

## CY39350 Performace Data

Nozzle size	Orifice diameter (mm)	Capacity (L/min)					Spray angle 4bar
		1.5Bar	3Bar	7Bar	20Bar	55Bar	
CY39350-00005	0.5	0.14	0.20	0.31	0.52	0.86	0°
CY39350-00008	0.64	0.22	0.31	0.45	0.81	1.34	
CY39350-0001	0.76	0.32	0.45	0.69	1.16	1.93	
CY39350-00015	0.9	0.43	0.61	0.94	1.58	2.62	
CY39350-0002	1.0	0.56	0.80	1.22	2.06	3.42	
CY39350-00025	1.1	0.72	1.01	1.54	2.61	4.33	
CY39350-0003	1.3	0.88	1.25	1.91	3.22	5.34	
CY39350-00045	1.5	1.27	1.80	2.75	4.64	7.7	

## CY48546 Performace Data

Nozzle Model	Inch
CY48546-00003-316RBY	0.015" [0.38mm]
CY48546-00005-316RBY	0.020" [0.51mm]
CY48546-00008-316RBY	0.025" [0.64mm]
CY48546-00011-316RBY	0.030" [0.76mm]
CY48546-00015-316RBY	0.035" [0.89mm]
CY48546-00020-316RBY	0.040" [1.02mm]
CY48546-00025-316RBY	0.045" [1.14mm]

## CY50709 Performace Data

Nozzle Model	Inch
CY50709-00003-316RBY	0.015" [0.38mm]
CY50709-00005-316RBY	0.020" [0.51mm]
CY50709-00008-316RBY	0.025" [0.64mm]
CY50709-00011-316RBY	0.030" [0.76mm]
CY50709-00015-316RBY	0.035" [0.89mm]
CY50709-00020-316RBY	0.040" [1.02mm]
CY50709-00025-316RBY	0.045" [1.14mm]

## Ordering info

When ordering ordinary stainless steel nozzles

**CY27149-0002-316L**  
Model Series Material

When ordering ceramic inlay nozzle

**CY39350-0002-316SS**  
Model Series Material

When ordering Ruby inlay nozzle

**CY48546-00020-316RBY**  
Model Size 316SS+ Ruby inlay

When asked order pads with the nozzle size one, please indicate special.

**CY50709-00020-316RBY**  
Model Size 316SS+Ruby inlay