

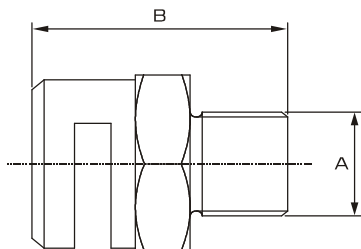
# WC series

## WATER CURTAIN Nozzles



MODEL	WC-15 & WC-20 in Brass IS319 / ASTM B16
	WC-15S & WC-20S in 316 stainless steel construction
MAXIMUM WORKING PRESSURE	12.3 Kg./Sq.cm. ( 175 PSI )
EFFECTIVE WORKING PRESSURE	1.4 TO 3.5 Kg /Sq.cm. ( 20 TO 50 PSI)
END CONNECTION	WC-15 & WC-15S with 1/2" BSPT ( NPT optional )
	WC-20 & WC-20S with 3/4" BSPT ( NPT optional )
K- FACTOR	Model : WC-15 / WC-15S K23, K30, K37, K45, K53 & K72
	Model : WC-20 / WC-20S K98, K120, K140
APPROXIMATE WEIGHT	Model WC-15 - 0.180 Kg. Model WC-20 - 0.250 Kg.
FINISH	Nickel chrome or Brass finish for WC-15 & WC-20
	Natural finish for WC-15S & WC-20S as base 316 stainless steel
ORDERING INFORMATION	Please specify Model, K factor and Finish.

### DIMENSION in millimetre ( Approximate )



MODEL	A	B
WC-15 & WC-15S	1/2" BSPT or (M)NPT	42
WC-20 & WC-20S	3/4" BSPT or (M) NPT	46



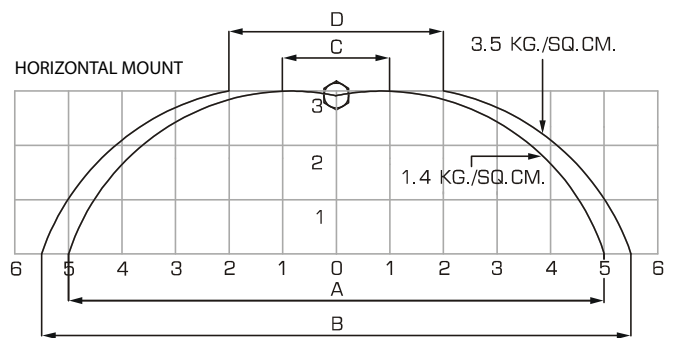
Water Curtain Nozzle distributes water in a flat curtain extending all the way to the ground.

Water Curtain Nozzle when mounted in pendent position acts as a window spray nozzle to protect interior walls, windows and other opening of the building which are affected by fire.

The nozzles when mounted in horizontal position with flow towards ground, a flat water curtain is produced to segregate the area which is under fire.

Water Curtain Nozzles are available in Brass and Stainless Steel construction with different flow rate.

### SPRAY TRAJECTORY @ 3.5 bar



### DIMENSION in meters ( Approximate )

	K23	K30	K37	K45	K53	K72	K98	K120	K140
A	10.0	10.0	11.0	11.0	12.2	13.8	14.0	14.4	14.6
B	11.0	11.0	12.0	12.0	13.3	14.2	14.4	15.0	15.1
C	01.8	01.8	02.2	02.2	03.3	04.4	04.2	04.4	04.5
D	02.2	02.2	02.4	02.4	03.6	04.8	05.2	05.4	05.5

