



APL series

Rapid Sand Filter Nozzles

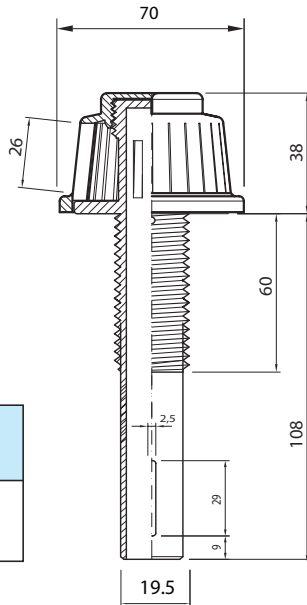
FILTER NOZZLES WITH VERTICAL SLOTS
 Model : APL - Yellow or Black

- For Sand and Anthracite Filter
- Clean by backwash
- Complete set of thread and stem
- Durable with little maintenance
- low cost

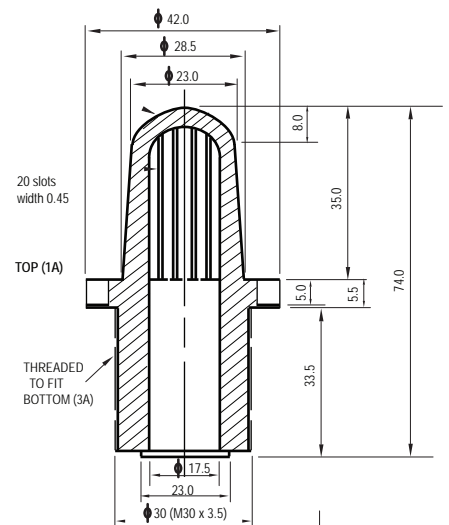
Thread size : 3/4 inch BSP or NPT

Material: Polypropylene

Type	Slot width mm	Slots No.	Area mm ²
APL	0.2	40	165



WASHBACK NOZZLE : ITA-3



Under Drain Back Wash nozzle Model : ITA-3

Size : 74mm ht x 42mm width (M20 x 50). consists of 20 straight 0.45mm opening slot for water spray, secured with rubber washer and M30 x 3.5 nut

Standard Material : Polypropylene